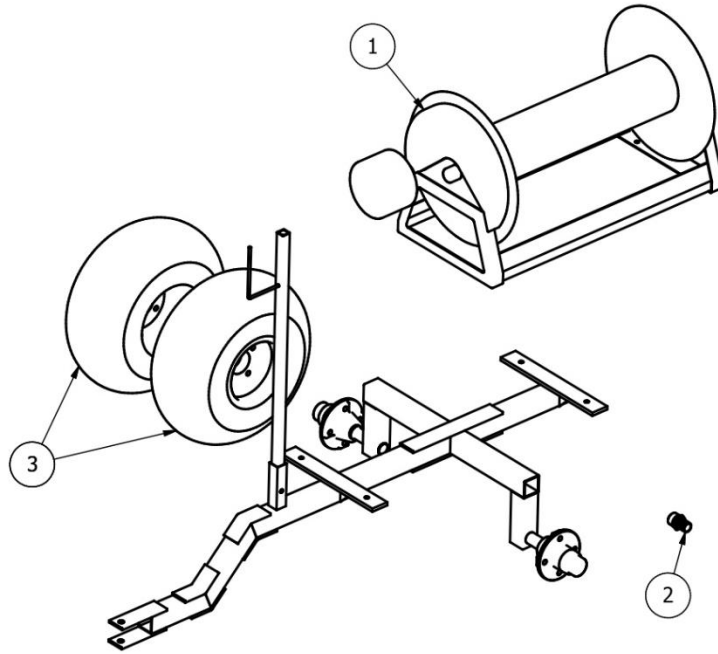


Reel Caddy
Parts Manual
(Electric or Manual)



Reel Caddy (Electric or Manual Reel)



Pictured Parts

#	Part #	Qty
1	4034-17-18	1
2	A100B	1
3	18.5x8.5-8	2

Parts Not Pictured

#	Part #	Qty
4	16-16FGH	1
5	Hose 1 BLK Rubber	
6	Hose 1 CC (Optional)	

Optional 1" country club and an E4034-17-18 can be added to this order when necessary.